



SAFETY GATE HOOKS AND EYES



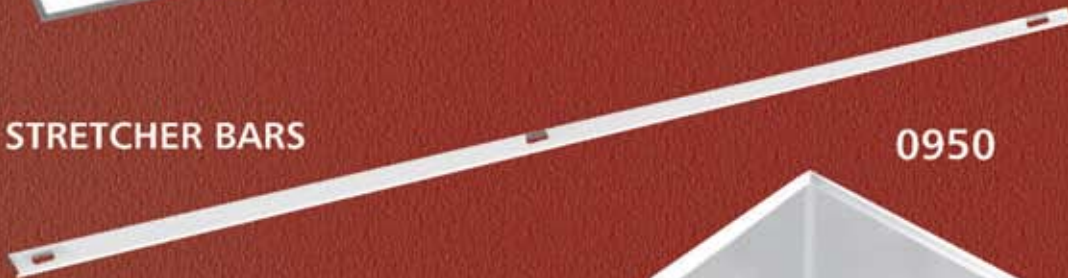
1000

HUNTING TYPE GATE CATCH



1805

STRETCHER BARS



0950

MANGER RING ON PLATE
SIZE: 2" x 2"



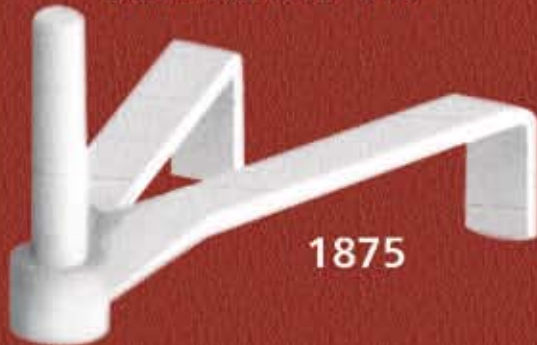
1884



0910

ANGLE CLEATS

HOOK FOR BRICK WORK
SIZE: 4 1/2 x 3/4" PIN



1875

CAST GRAVITY
CATCH



1870

SELF LOCKING GATE
CATCH ONLY



1800 GC

SELF LOCKING GATE CATCH
(Cranked Striker Only)



1800 CS

MANGER RING ON EYE BOLT
SIZE: 3" x 8"



1886

THROWOVER GATE LOOPS



SIZE: 14"

SELF LOCKING GATE CATCH
(Straight Striker Only)



1800 SS



SIZE: 7"

1810

SELF LOCKING GATE CATCH



1800





FIELD GATE HINGE RISING S. BAND (SET)



1890

FIELD GATE HINGE RISING S. BAND



1890A

CENTRAL CLOSING GATE CATCH



1860

GATE EYE TO WELD (Flat) SIZE: 19MM



1865 E

GATE HOOK TO WELD (Flat) SIZE: 19 MM



1865 H

HOOK ON PLATE SIZE: 2"x2"

1880



GATE EYE TO WELD (Radius) SIZE: 19MM



1866 E

GATE HOOK TO WELD (Radius) SIZE: 19MM



1866 H

STAPLE ON PLATE SIZE: 2"x2"

1882



EYE BOLT WITH 'U' CLIPS



1809 F

**ADJUSTABLE HOOK ON
100 mm PLATE WITH
19 mm PIN**



1814 AH

**SLOTTED BAND FOR
ADJUSTABLE FIELD GATE
HINGE**



1812AAS

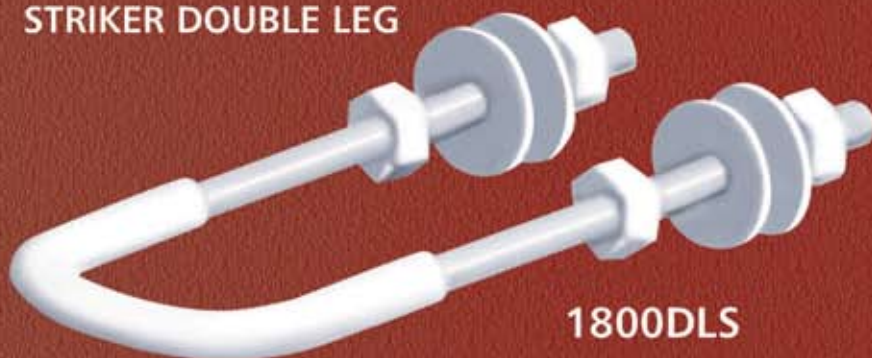
**THROWOVER
GATE LOOP WITH
LIFT HANDLE**



1816



STRIKER DOUBLE LEG



1800DLS

STAPLE TO DRIVE



1820E

SPRING LOADED ANIMAL BOLT
SIZE: 12mm



1836

SINGLE LEG
DRIVER CATCH



1820D

SPRING LOADED
ANIMAL BOLT C/W STAPLE
SIZE: 10mm



1835

SINGLE POST HOOK



850

DOUBLE POST HOOK



851

NEW ADDITIONS - GATE HARDWARE FITTINGS

HOOK TO DRIVE



1803

HOOK ON SQUARE PLATE
SIZE: 4"x4"x $\frac{3}{8}$ " PIN



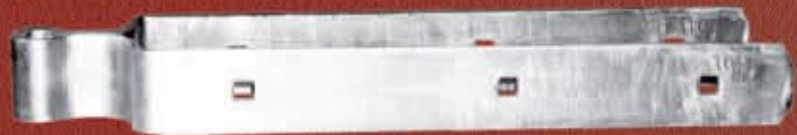
1814A

HOOK TO BOLT



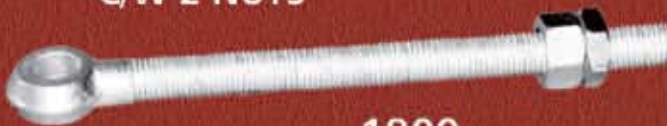
1806

FIELD GATE HINGE LONG BAND



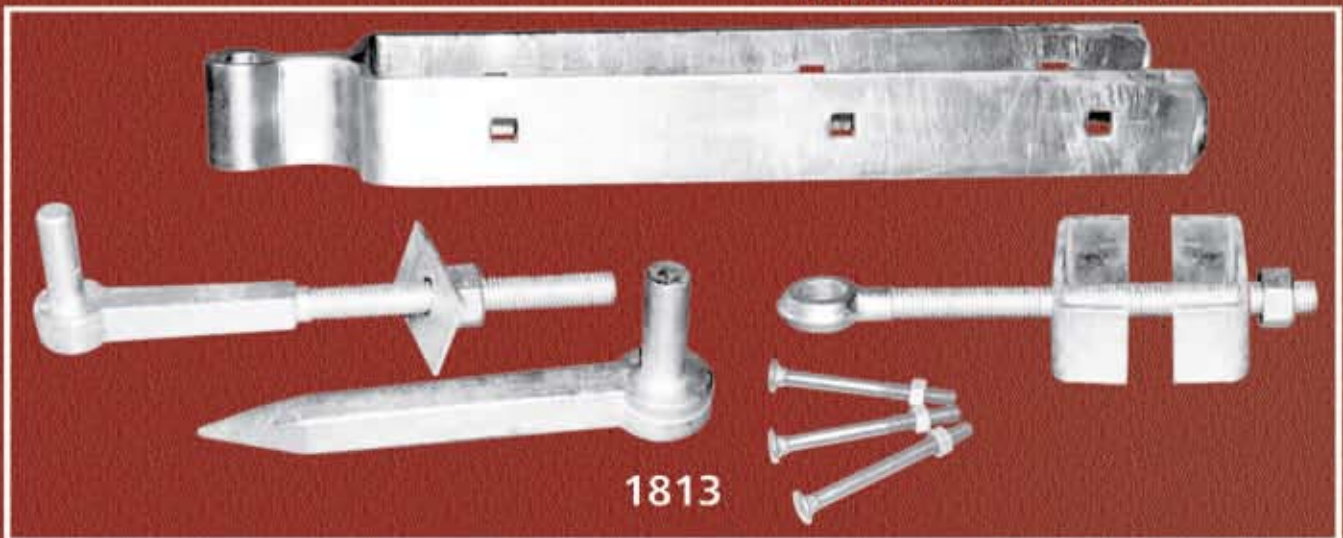
1812AL

FIELD GATE ADJUSTABLE EYE
C/W 2 NUTS



1809

ADJUSTABLE HINGE SET



1813



ADJUSTABLE HINGE SET WITH HOOKS ON PLATE



1814

SPRING CATCH 1820C



SPRING LATCH 1820A



SPRING KEEP 1820B



SPRING LATCH SET 1820

STANDARD HINGE SET



1812

GATE HARDWARE FITTINGS

LARGE RADISSEURS



1845

SMALL RADISSEURS



1850

ADJUSTABLE HOOK & BAND



1057

FILED GATE BOTTOM HINGE



1812AS

KICK OVER GATE LATCH



1830

KICK OVER STABLE LATCH



1830A

